

**ATLAS 1TE2L (LEVER CONTROLLED)  
ATLAS 1TE2R (REMOTE CONTROLLED)  
CAPACITY 1000KG – DOUBLE ELECTRIC BOOM**



The ATLAS 1TE2 is a full electric powered Pick & Carry crane with a maximum capacity of 1000 Kg and with a double electric boom that reaches a free overhang of 2250mm. One of the key features of this pick and carry crane is that there are no lateral outriggers, therefore this crane grants max mobility with suspended load.

Model ATLAS is the motorized crane with the smallest dimensions in its category (just 800mm wide ) and thanks to its extreme maneuverability it can reach any location where the load has to be picked up, including narrow aisles and tunnels. It has an excellent steering angle that allows it to move along the narrow spaces or rotate on its axis in limited spaces. It is equipped with AGM batteries that can be recharged in areas with limited ventilation.

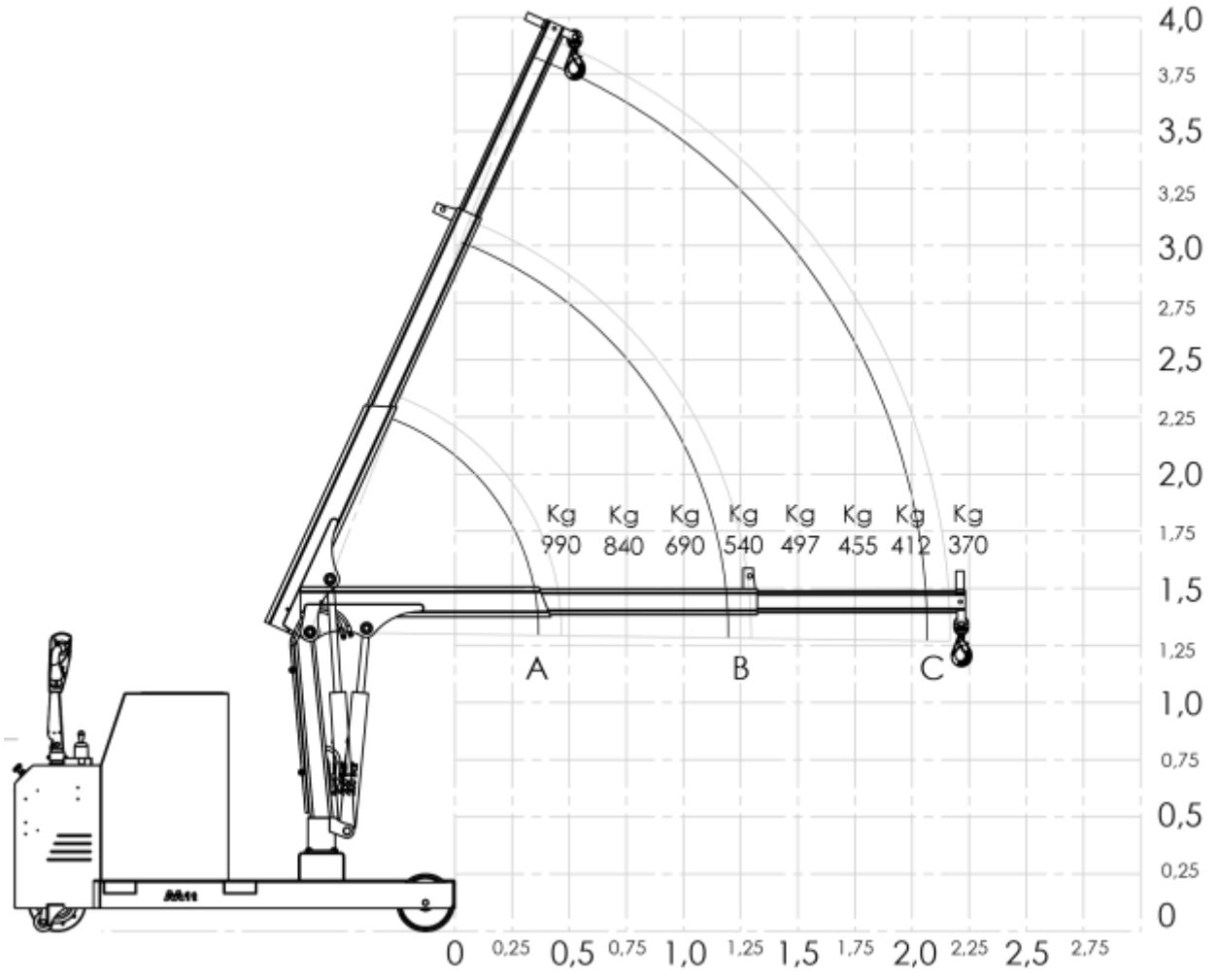
ATLAS is a full electric crane that can be used in all sectors being silent, environmentally friendly and zero-emission. In line with Health and Safety international standards (emergency buttons, warning devices, relief and check valves).

It is equipped with a maximum load dynamic throttling device , which prevents the crane from loading beyond maximum range at each point of the slide by inhibiting the ascent and feed controls until the operator re-enter the load within the permitted limits. It can be equipped with any type of under hook accessory (vacuum lifter, bars, beans, clamps, tilters, permanent magnets and customised solutions) for unlimited applications in a large variety of industries.

Technical data	UM	ATLAS 1TE2L / 1TE2R
Weight	[kg]	1600
Max capacity	[kg]	1000
Lifting motor	[W]	2200
Traction motor	[W]	1200
Tank capacity	[L]	4

Traction and controller			
2 AGM airtight batteries		1 battery charger	
[V]	[A]	[V]	[A]
2 x 12	2 x 120	24	12

**ATLAS 1TE2L / ATLAS 1TE2R**  
CAPACITY 1000 KG  
LOADING CHART



### TILLER ARM

**Maximum ergonomics** : the operator can firmly grip the tiller handles with both hands

**Safe driving** : Tiller arm safety switch disables operation in non-allowed positions

**Slow/fast speed** : 2-speed driving

Slow mode of 1.5 km/hr ideal for tight spaces and to safely move the load

Standard speed of 3.0 km/hr to drive the crane along long distances

**Audible motion warning device** : Horn with anti-noise polyester axial capacitor

**Anti-crush belly button**: anti-crush button with automatic reversing switch to ensure the safety of the operator

**2 butterfly controls**: for forward travel and backward travel controls



### CONTROLS, WARNING LIGHTS AND STANDARD FEATURES

2 position **key switch** ; **emergency button** ; **Green indicator light** showing maximum load position and the upward/downward motion and extension & retraction motion are active; **Red control light** showing maximum load capacity (when the red light is activated is not possible to lift the load and extend the jib ); Indicator showing the **battery charge level**; **Schuko socket** for 220V charge ; Visual warning **LED beacon**; **24V intermittent buzzer** when the crane is moving to increase operator safety; **Storage compartment**.

ATLAS 1TE2L is equipped with proportional control levers with adjustable speed

It is equipped with proportional control levers as follows :

- 1) Lever that controls the jib upward/downward motion
- 2) Lever that controls the jib extension & retraction

ATLAS 1TE2R is equipped with remote control with proportional and adjustable speed . The remote control handle is equipped with a button , that allows you to activate the proportional control mode.

- 1) Lever that controls the jib upward/downward motion
- 2) Lever that controls the jib extension & retraction



### BUILT-IN CHARGER

**Pulse model** with single phase 220V high frequency input voltage and 24V output voltage. Microprocessor indicator with relay for lifting block.

**3 LEDs** that indicate the operating status. **Remote RBC indicator** for displaying the charging phase of the battery charger.



### DYNAMIC LOAD LIMITER

System for preventing overloading in each position of the extension that activates a mechanism that blocks the upward and extension motion (red light) ensuring the functionality of the crane in absolute safety and that signals (green light) when the crane returns to allowed position, re-enabling the controls.

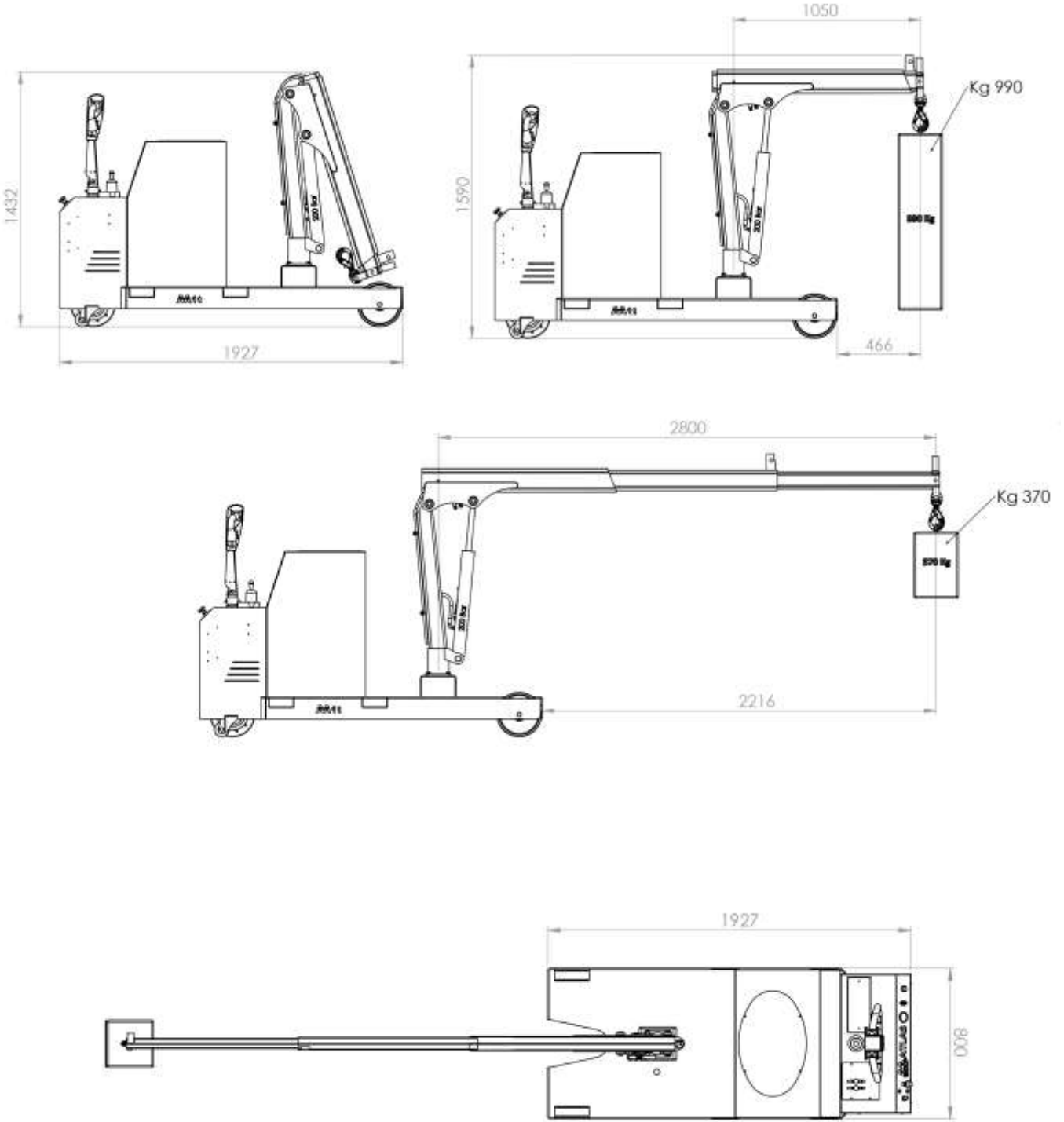


### POWER DRIVE

AC **traction motor** with recovery braking. Permanent magnet **drive wheel** in direct current 24V 700W; high frequency **MOSFET controller**.



**ATLAS 1TE2L / ATLAS 1TE2R**  
**TECHNICAL DRAWINGS, DIMENSIONS AND CAPACITIES**  
 Strong, compact width and extremely stable



### ATLAS 1TE3L (LEVER CONTROLLED) ATLAS 1TE3R (REMOTE CONTROLLED) CAPACITY 1000KG – TRIPLE ELECTRIC BOOM

Model ATLAS 1TE3 is a full electric powered Pick & Carry crane with a maximum capacity of 1000 Kg and with a triple electric boom that reaches a free overhang of more than 3 meters.

One of the key features of this pick and carry crane is that there are no lateral outriggers, therefore this crane grants max mobility with suspended load.

ATLAS is the motorized crane with the smallest dimensions in its category (just 800mm wide ) and thanks to its extreme maneuverability it can reach any location where the load has to be picked up, including narrow aisles and tunnels. It has an excellent steering angle that allows it to move along the narrow spaces or rotate on its axis in limited spaces. It is equipped with AGM batteries that can be recharged in areas with limited ventilation.

ATLAS is a full electric crane that can be used in all sectors being silent, environmentally friendly and zero-emission. In line with Health and Safety international standards (emergency buttons, warning devices, relief and check valves).

It is equipped with a maximum load dynamic throttling device , which prevents the crane from loading beyond maximum range at each point of the slide by inhibiting the ascent and feed controls until the operator re-enter the load within the permitted limits.

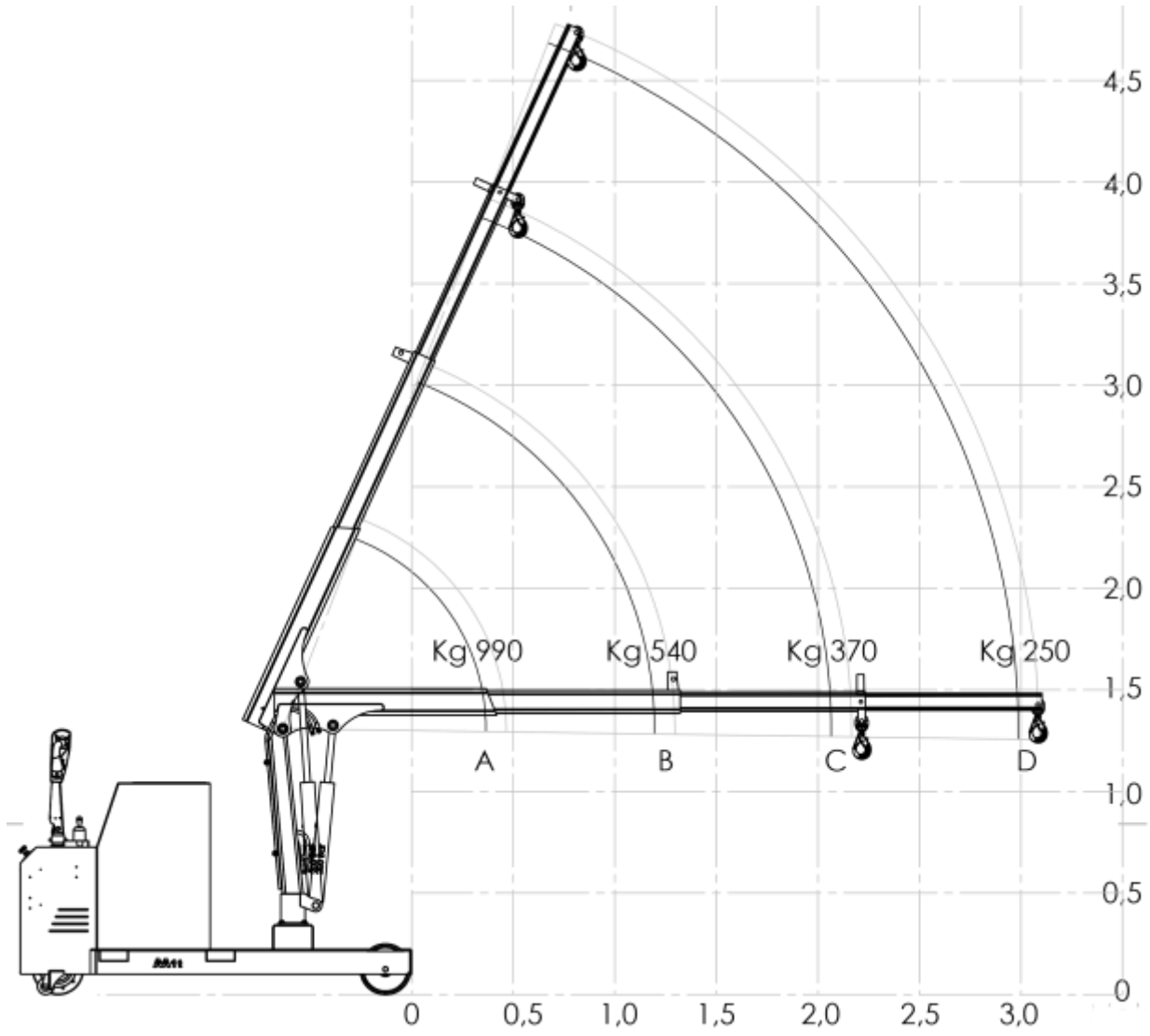
It can be equipped with any type of under hook accessory (vacuum lifter, bars, beans, clamps, tilters, permanent magnets and customised solutions) for unlimited applications in a large variety of industries.



Technical data	UM	ATLAS 1TE3L / 1TE3R
Weight	[kg]	1600
Max capacity	[kg]	1000
Lifting motor	[W]	2200
Traction motor	[W]	1200
Tank capacity	[L]	4

Traction and controller			
2 AGM airtight batteries		1 battery charger	
[V]	[A]	[V]	[A]
2 x 12	2 x 120	24	12

**ATLAS 1TE3L / ATLAS 1TE3R**  
CAPACITY 1000 KG  
LOADING CHART



### TILLER ARM

**Maximum ergonomics** : the operator can firmly grip the tiller handles with both hands

**Safe driving** : Tiller arm safety switch disables operation in non-allowed positions

**Slow/fast speed** : 2-speed driving

Slow mode of 1.5 km/hr ideal for tight spaces and to safely move the load

Standard speed of 3.0 km/hr to drive the crane along long distances

**Audible motion warning device** : Horn with anti-noise polyester axial capacitor

**Anti-crush belly button**: anti-crush button with automatic reversing switch to ensure the safety of the operator in every maneuvering operation

**2 butterfly controls**: for forward travel and backward travel controls



### CONTROLS, WARNING LIGHTS AND STANDARD FEATURES

2 position **key switch** ; **emergency button** ; **Green indicator light** showing maximum load position and the upward/downward motion and extension & retraction motion are active; **Red control light** showing maximum load capacity (when the red light is activated is not possible to lift the load and extend the jib ); Indicator showing the **battery charge level**; **Schuko socket** for 220V charge ; Visual warning **LED beacon**; **24V intermittent buzzer** when the crane is moving to increase operator safety; **Storage compartment**.

**ATLAS 1TE3L is equipped with proportional control levers with adjustable speed**

It is equipped with proportional control levers as follows :

- 1) Lever that controls the jib upward/downward motion
- 2) Lever that controls the jib extension & retraction

**ATLAS 1TE3R is equipped with remote control with proportional and adjustable speed** . The remote control handle is equipped with a button , that allows you to activate the proportional control mode.

- 1) Lever that controls the jib upward/downward motion
- 2) Lever that controls the jib extension & retraction



### BUILT-IN CHARGER

**Pulse model** with single phase 220V high frequency input voltage and 24V output voltage. Microprocessor indicator with relay for lifting block.

**3 LEDs** that indicate the operating status. **Remote RBC indicator** for displaying the charging phase of the battery charger.



### DYNAMIC LOAD LIMITER

System for preventing overloading in each position of the extension that activates a mechanism that blocks the upward and extension motion (red light) ensuring the functionality of the crane in absolute safety and that signals (green light) when the crane returns to allowed position, re-enabling the controls.



### POWER DRIVE

**AC traction motor** with recovery braking. Permanent magnet **drive wheel** in direct current 24V 700W; high frequency **MOSFET controller**.



**ATLAS 1TE3L / ATLAS 1TE3R**  
**TECHNICAL DRAWINGS, DIMENSIONS AND CAPACITIES**  
 Strong, compact width and extremely stable

